



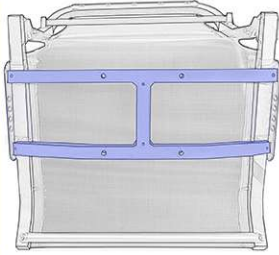
#3110

### 360 Fusion Seat Installation Instructions

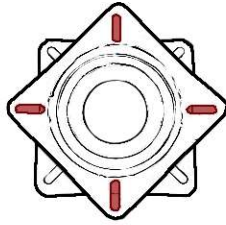
Seat Hardware Pack Includes: [8] 1.5" Hex Bolts [8] Locknuts [16] Washers

1. Remove seat and seat base from boat.

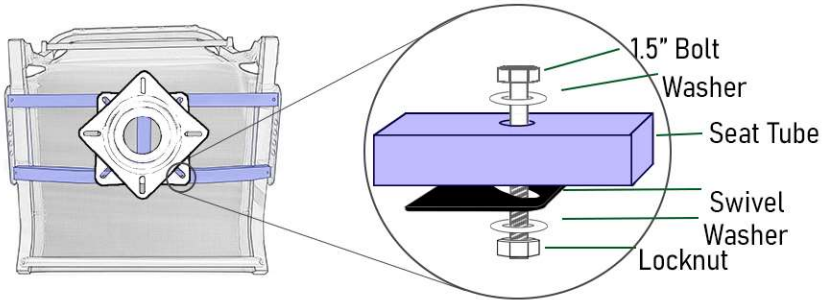
2. Place seat upside down so that **seat tubes** are easily accessible.



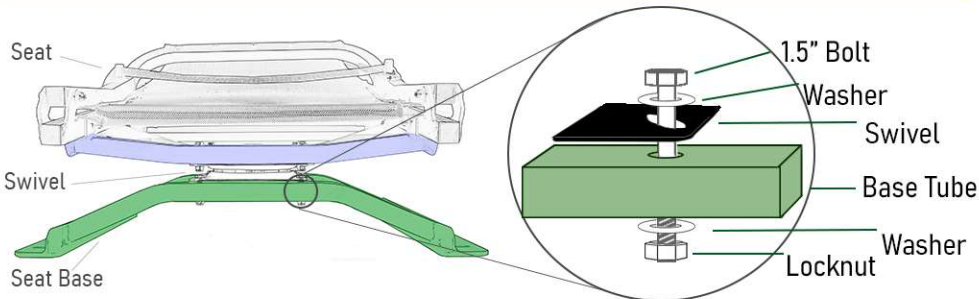
3. Twist swivel 45° so that **corner slots** are accessible.



4. Secure swivel to **seat frame** using hardware taped to seat.  
(Use two 7/16" wrenches or adjustable wrenches to tighten)



5. Install swivel to **seat base** using hardware from this pack.  
(Use two 7/16" wrenches or adjustable wrenches to tighten)



6. Install seat on boat using Mighty Bolts + Mighty Knobs



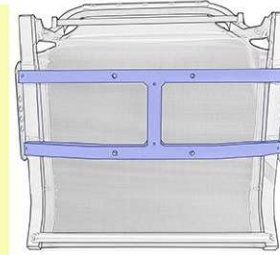
#3110

### 360 Fusion Seat Installation Instructions

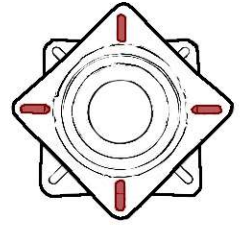
Seat Hardware Pack Includes: [8] 1.5" Hex Bolts [8] Locknuts [16] Washers

1. Remove seat and seat base from boat.

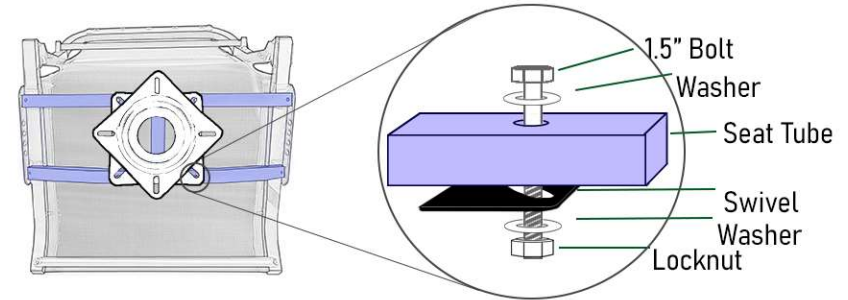
2. Place seat upside down so that **seat tubes** are easily accessible.



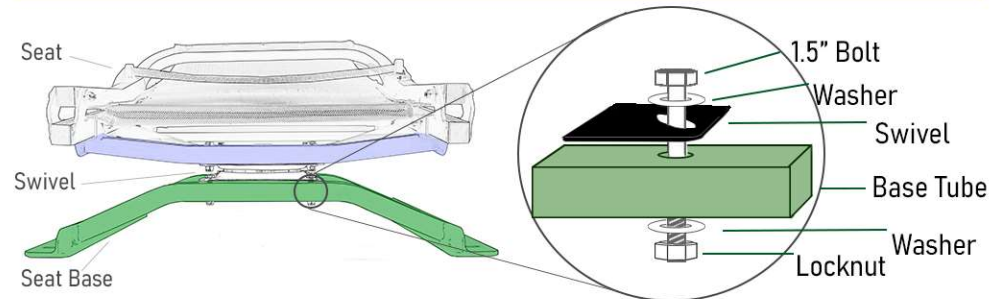
3. Twist swivel 45° so that **corner slots** are accessible.



4. Secure swivel to **seat frame** using hardware taped to seat.  
(Use two 7/16" wrenches or adjustable wrenches to tighten)



5. Install swivel to **seat base** using hardware from this pack.  
(Use two 7/16" wrenches or adjustable wrenches to tighten)



6. Install seat on boat using Mighty Bolts + Mighty Knobs