



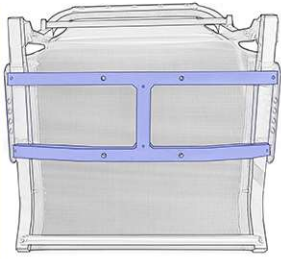
#3200

Fusion Seat Hardware Pack

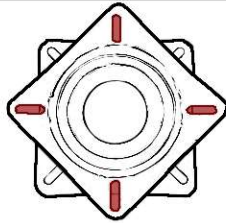
Includes: [4] 1.5" Hex Bolts [4] 2.5" Hex Bolts [4] Locknuts [8] Washers

To Install Seat to Swivel

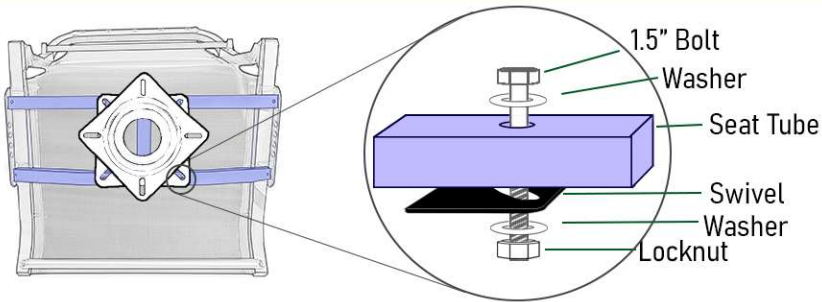
1. Place seat upside down so that **seat tubes** are easily accessible.



2. Twist swivel 45° so that **corner slots** are accessible.



3. Secure swivel to **seat frame** using 1.5" bolts.
(Use two 7/16" wrenches or adjustable wrenches to tighten)



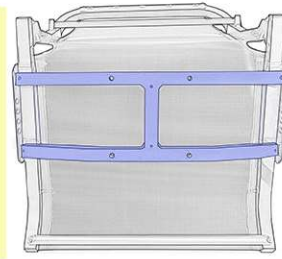
#3200

Fusion Seat Hardware Pack

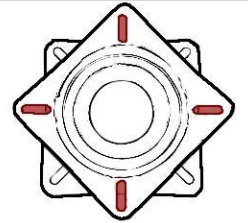
Includes: [4] 1.5" Hex Bolts [4] 2.5" Hex Bolts [4] Locknuts [8] Washers

To Install Seat to Swivel

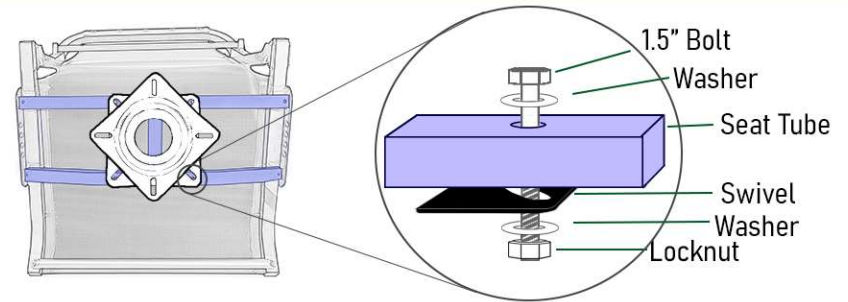
1. Place seat upside down so that **seat tubes** are easily accessible.



2. Twist swivel 45° so that **corner slots** are accessible.



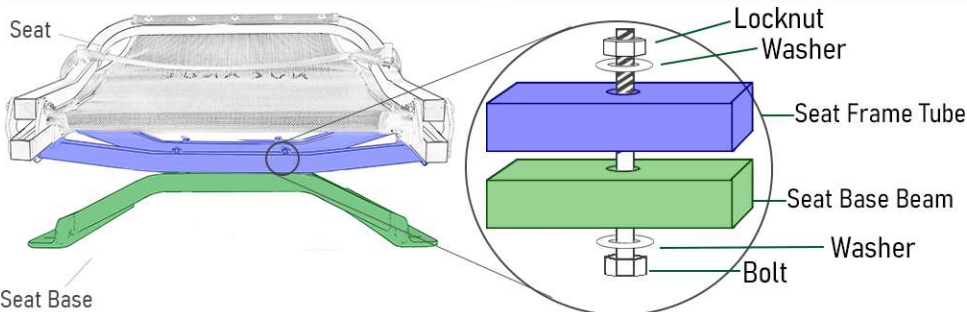
3. Secure swivel to **seat frame** using 1.5" bolts.
(Use two 7/16" wrenches or adjustable wrenches to tighten)



To Install Seat Directly to Seat Base

1. Place seat upside down so that **seat tubes** are easily accessible.

2. Secure **seat frame** to **seat base** using 2.5" bolts.
(Use two 7/16" wrenches or adjustable wrenches to tighten)



To Install Seat Directly to Seat Base

1. Place seat upside down so that **seat tubes** are easily accessible.

2. Secure **seat frame** to **seat base** using 2.5" bolts.
(Use two 7/16" wrenches or adjustable wrenches to tighten)

